

⚠ WARNINGS AND CAUTIONS

Important: ALWAYS be sure to disconnect power before re-lamping or wiring the fixture. Read these instructions completely before starting installation.

To avoid the risk of fire and/or shock fixture must be installed in compliance to national and local electrical and building codes.

If an existing fixture is being replaced take special notice of which wires were connected in the outlet box.
DO NOT SEPARATE ANY WIRES THAT MAY BE EXISTING IN THE JUNCTION BOX
DO NOT DAMAGE THE INSULATION OF JUNCTION BOX WIRES.

In Regular circumstances the BLACK wire will be "live", WHITE will be "neutral" and GREEN or BARE COPPER will be "ground". In older buildings it is always good practice to reconfirm the polarity of the wiring.

NOTICE

- The important safeguards and instructions outlined in this sheet cannot cover all possible conditions and situations that may occur. It must be understood that caution and certain care factors must be followed. These instructions are provided for your safety and we highly recommend that a licensed, trained electrician install this unit.
- This fixture is designed to be mounted on a correctly installed standard round or octagon box OR through a wiring box with a plaster frame. The box must be securely mounted to the structure of the building. The crossbar and hardware supplied should be used, directly mounting the fixture to the outlet box may make it impossible to correctly align the fixture.

ASSEMBLY INSTRUCTIONS

Step 1

Remove the mounting plate (1c) from within the canopy (2a) by loosening the two mounting screws provided (2b). Attach the mounting plate (1c) to the junction box (1a) using two junction box screws (not provided) (1d).

Step 2

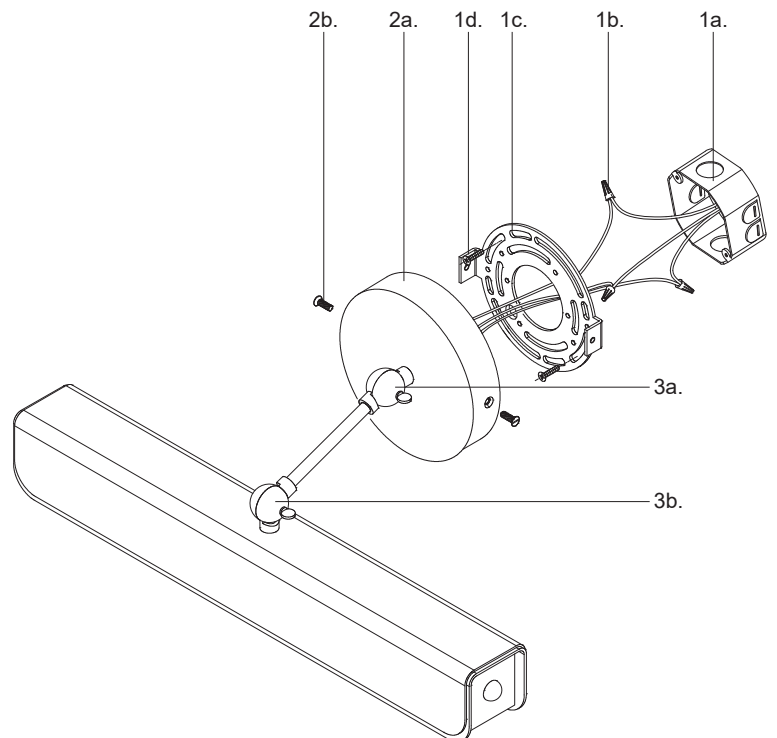
Connect fixture wires to junction box wires using the marrettes provided (1b) (white to white "N", black to black "L", green to green "G"). Now secure the canopy (2a) to the mounting plate (1c) using the two mounting screws provided (2b).

Step 3

Install recommended lamps (referred on the socket label for maximum wattage and type) to fixture socket and restore power. *If fixture has integrated LED (Light Emitting Diodes) lamp installation is not required*

Step 4

To adjust the height of the fixture, release the swivel (3a) located at the canopy and set to desired height. Tighten the swivel to lock the fixture in place. To adjust the angle of the shade, release the swivel (3b) located at the top of the shade and set to desired angle. Tighten the swivel to lock the shade in place.



You are now ready to enjoy your fixture.